



Fagor Ederlan Borja, S.A.
 Polígono Barbalanca, s/n.
 50540 Borja, Zaragoza. España
 T: +34 976 869 620
 www.fagorederlan.es

Persona de contacto: Aurelio González
 a.gonzalez@borja.fagorederlan.es

fagorederlangroup



AUTOMOTIVE SOLUTIONS

Fagor Ederlan is a leading group in the automotive sector. Its industrial activity focuses on the manufacture of components and systems for Chassis and Powertrain through technologies such as Iron casting, High Pressure DieCasting and Low Pressure in Aluminium, machining and assembly offering its customers comprehensive and value-added solutions.

Belonging to the Mondragon group, Fagor Ederlan is a global supplier with 19 production plants in Central Europe, Eastern Europe, Brazil and China and 2 partnerships in USA and Korea, as well as 8 sales offices and one technology center Edertek.

Fagor Ederlan has a workforce of 3531 employees and sales in 2015 have been of € 624 M.

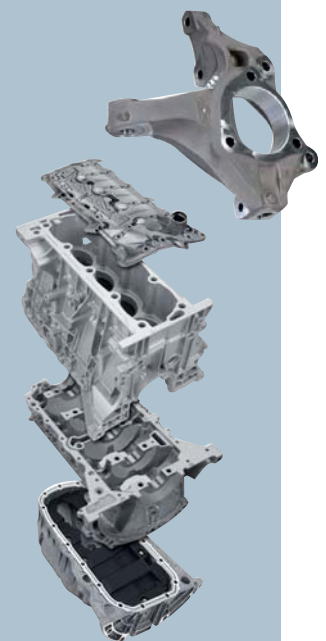
Fagor Ederlan Borja, one of two assembly activities of the group, has 2 production plants and its activity is focused in the machining and assembly of components and chassis systems. Sales in 2015 exceeded € 79,8 M.

Fagor Ederlan es un grupo líder en el sector del automóvil. Centra su actividad industrial en la fabricación de componentes y sistemas de Chassis y Powertrain del vehículo a través de tecnologías como la Fundición de Hierro, Inyección y Baja presión de Aluminio, mecanizado y montaje ofertando a sus clientes soluciones globales y de valor añadido.

Pertenciente al grupo Mondragon, Fagor Ederlan es un proveedor global con 19 plantas productivas en Europa Central, Europa de Este, Brasil y China y 2 alianzas productivas en USA y Corea, además de 8 oficinas comerciales, 1 centro tecnológico.

Fagor Ederlan cuenta con una plantilla de 3.546 empleados y sus ventas en el 2015 han sido de 624 M de €.

Fagor Ederlan Borja, una de las dos actividades de montaje del grupo, cuenta con 2 plantas productivas y su actividad se centra en el mecanizado y ensamblaje de componentes y sistemas de Chassis. Sus ventas en 2015 superaron los 79,8 M de €.



- Structural Parts and body
- Drivetrain
- Powertrain
- Interior parts
- Exterior Parts
- Electronics
- Vehicles
- Auxiliary services



PRODUCTS

CHASSIS: Brake -Suspension

- Suspension Knuckles and arms
- Suspension front corner, rear axles main product of Fagor Ederlan Borja
- Brake discs and drums
- Brake caliper
- Brake caliper system

POWERTRAIN: Engine-Transmission

- Engine blocks in Iron and Aluminium
- Transmission components.

TECHNOLOGY CAPABILITIES

CHASSIS: We can offer from innovation the best option in key factors as weight, material, process and cost to both components and complete modules.

POWERTRAIN: Technology leaders in high pressure die-casting aluminum, iron casting and machining for engine and transmission components, we offer the market high value-added solutions.

PRODUCTOS

CHASSIS: Freno y suspensión

- Portamanguetas y brazos de Suspensión
- Columnas delanteras y ejes traseros, producto de Fagor Ederlan Borja
- Discos y tambores de Freno
- Carcasas de Freno
- Subconjunto de pinza freno

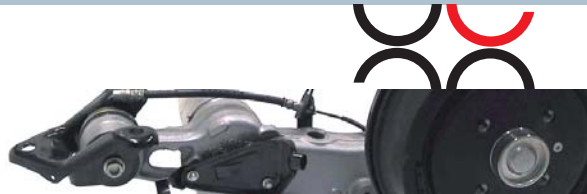
POWERTRAIN: Motor y transmisión

- Componentes de motor en Aluminio y hierro
- Componentes de Transmisión

CAPACIDADES TECNOLÓGICAS

CHASSIS: Somos capaces de ofrecer desde la innovación la mejor opción en clave de peso, material, proceso y coste tanto para componentes como módulos completos.

POWERTRAIN: Líderes tecnológicos en inyección de aluminio alta presión, fundición de Hierro y mecanizado para componentes de transmisión y motor, ofrecemos al mercado soluciones de alto valor añadido.



//// TECHNICAL DATA

PRODUCTS Fagor Ederlan Group PRODUCTS: Chassis. Main Products are: Brake & Suspension components (knuckles, brake discs, drums, brake housings & calipers, brake caliper assembly, suspension front corner, rear axle), Fagor Ederlan Borja products: Front corners, Rear Axles. Powertrain. Main Products are: Aluminium die casting engine & transmission components and Grey cast iron engine blocks & cylinder heads.

MARKETS Original Equipment Supplier: We are a global service supplier for the main market regions through production plants in Western, Eastern Europe, Brazil and China and alliances in market regions such as Asia and Nafta. Fagor Ederlan Borja market focus on OES suspension module and system.

FUNCTIONS IN VEHICLE

- Structural parts and body
- Drivetrain
- Powertrain
- Interior parts
- Exterior Parts
- Electronics
- Vehicles
- Auxillary services

TECHNOLOGIES

- Machining
- Stamping
- Forging
- Mechanical Union
- Injection
- Bending
- Casting
- Surface Finishing
- Welding
- Heat Treatment
- Iron Casting
- Aluminium Casting
- Aluminium HPDC
- Assembly